

MINI SCISSOR LIFTS

IM 4080 - IM 5080

6.9 m
working height indoor

STANDARD EQUIPMENT

- Rear wheels electric traction
- Negative electromagnetic parking brakes with electric disengagement
- Front wheels electric steering
- Manual deck extension 66 cm
- Manual emergency lowering
- Non-return valve on lifting cylinders
- AGM batteries 12V 85Ah C5
- Battery charger with automatic cut-off
- All movement alarm, horn, hour meter
- Inclinometer with motion cut-out and alarm
- Mechanical release for emergency hauling
- Solid rubber non-marking tires
- Antishearing electric protection
- Pot Hole protection
- Battery level control with low voltage protection
- Foldable guardrails
- Overload sensor
- Flashing beacon
- Control panel on the platform with capacitive buttons, proportional controls and diagnostics

OPTIONALS

- Kit 230 V outlet on platform
- Kit for compressed air
- Kit additional flashing beacon
- Kit IMERVIEW



New ground control panel with integrated display for data retrieval and troubleshooting.



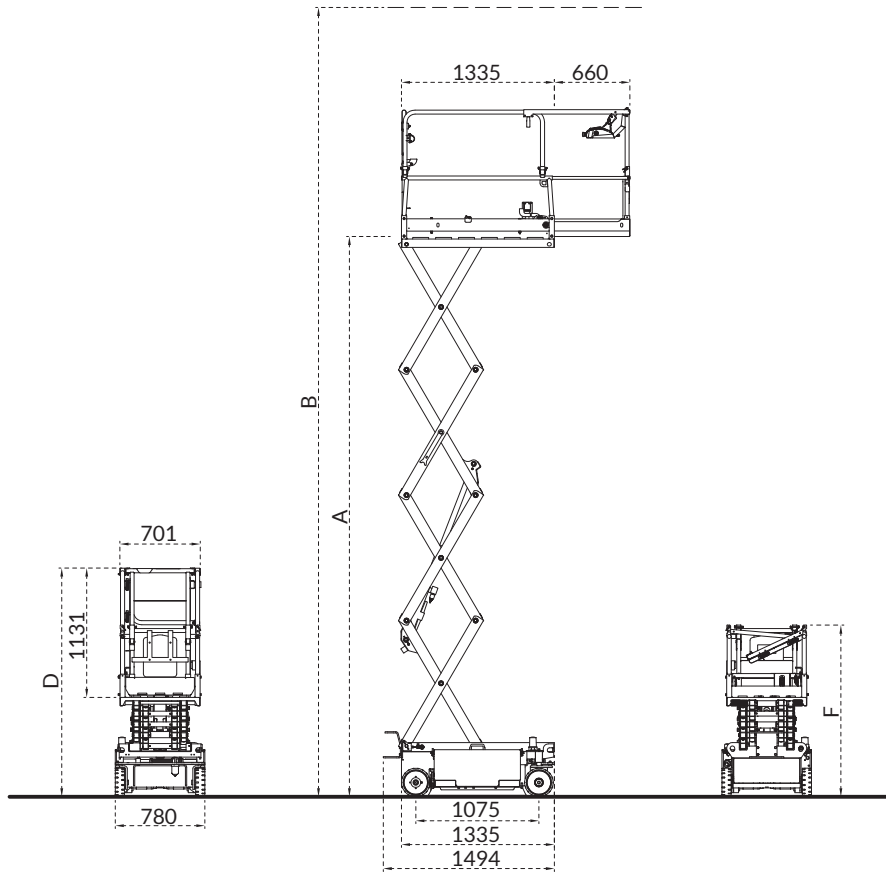
AGM batteries to ease maintenance. New disposition of hydraulic components on the lower frame which integrates forklift pockets.



Front electric steering enabling maximum precision of movements.



New design control panel in the platform with soft touch technology. It can be positioned around the platform by means of the protective roll bar.



| | | IM 4080 UL | IM 4080 H | IM 5080 UL | IM 5080 H |
|---------------------------------------|---------|-----------------------------|----------------------|-----------------------------|-----------------------------|
| Number of scissors | | 3 | 3 | 4 | 4 |
| Platform height | mm | 3800 indoor 2250 outdoor | 3800 | 4900 indoor 2450 outdoor | 4900 indoor 4350 outdoor |
| Working height | mm | 5800 indoor 4250 outdoor | 5800 | 6900 indoor 4450 outdoor | 6900 indoor 6350 outdoor |
| Stowed height | mm | 1900 | 1900 | 1990 | 1990 |
| Folded height | mm | 1410 | 1410 | 1500 | 1500 |
| Length (without ladder) | mm | 1490 (1335) | 1490 (1335) | 1490 (1335) | 1490 (1335) |
| Width | mm | 780 | 780 | 780 | 780 |
| Platform extension | mm | 660 | 660 | 660 | 660 |
| Platform capacity | kg | 230 | 230 | 230 | 230 |
| Capacity on platform extension | kg | 130 | 130 | 130 | 130 |
| Authorized persons | n° | 1 | 2 indoor / 1 outdoor | 1 | 2 indoor / 1 outdoor |
| Traction motors | V / kW | 24DC | 24DC | 24DC | 24DC |
| Batteries | V/Ah | 2x12/85 C5 | 2x12/85 C5 | 2x12/85 C5 | 2x12/85 C5 |
| Battery charger | V/A | 24V/20 Ah | 24V/20 Ah | 24V/20 Ah | 24V/20 Ah |
| Oil tank capacity | l | 2 | 2 | 2 | 2 |
| Max. lateral/longitudinal inclination | degrees | 1.50 / 3.00 | 1.50 / 3.00 | 1.50 / 2.50 | 1.50 / 2.50 |
| Max driving speed | km / h | 4 | 4 | 4 | 4 |
| Safety speed | km / h | 0.6 | 0.6 | 0.6 | 0.6 |
| Gradeability | % | 25 | 25 | 25 | 25 |
| Internal turning radius | m | 0.24 | 0.24 | 0.24 | 0.24 |
| External turning radius | m | 1.55 | 1.55 | 1.55 | 1.55 |
| Tires dimensions | mm | 250x80 | 250x80 | 250x80 | 250x80 |
| Tires type | | Cushion | Cushion | Cushion | Cushion |
| Weight | kg | 700 | 920 | 750 | 1065 |